

# CiU® Fixed/Door

**Product type** Door  
**Product family** ClickitUp®

**ErgoSafe®**  
FLEXIBLE GLASS SOLUTIONS

## Description

Glass balustrade with door function

## Safety

The balustrade must not be installed where there is a outcome risk.

## Manufacturing method

Structural glazing is used to fit the glass to the aluminium posts

## Baseplate mounts

Baseplate mounts are available as single, double and side baseplate mounts

## Cover caps

Cover caps are available as single, double and corner variants

## Material

Glass, aluminium and stainless steel

## Glass fixed section

Toughened glass 8 mm

## Height lowered balustrade

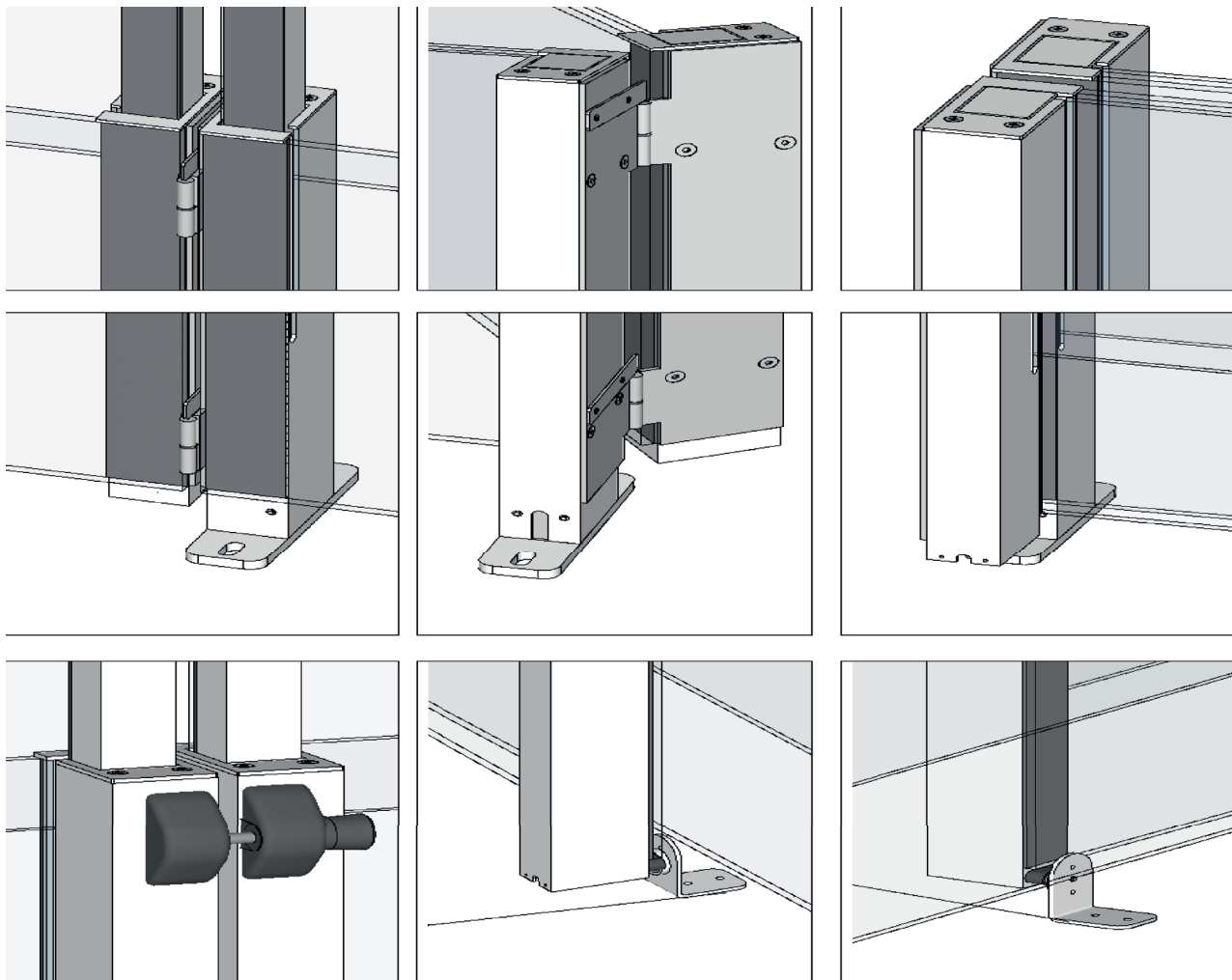
1100 mm

## Width measurement door section

Max measurement 1100 mm. For more door measurements contact your seller

## Surface treatment

Natural anodised as standard. As an option at an additional charge, black anodised or powder coated in a RAL colour



Copyright © 2018 ErgoSafe AB  
We reserve the right to correct errors, subject to change

# CiU® Fixed/Door

